



Pool price calculation- order form

- 1) Inner track width means the narrowest point of the roof. (Figure 4)
- 2) Outer track width is the maximum size of the roof. (Figure 4)
- 3) The internal length is the length of the roof in the stretched state. (Figure 4)
- 4) Center height is the height of the central segment of the enclosure (+ / - 3 cm) (Fig. 5-6)
- 5) The number of segments is given according to the desired length of the roof. (Figure 3)

internal width of tracks	332 cm
external width of tracks	376 cm
internal length of roofing	642 cm
central height of roofing	103 cm
segments quantity	3 ks

Type of Roofing

TREND

0,00 €

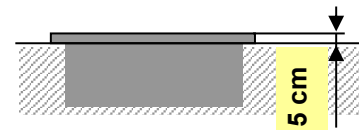
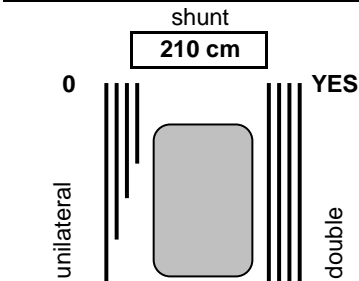
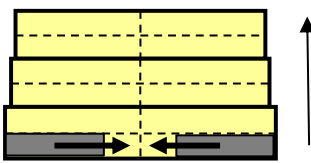


Fig. 3

side doors sliding YES
side doors shunting 0
segments quantity 3 ks

height	standardly - its set by price list	in price	YES	0,00 €
tracks	unilateral for shift in one direction	in price		0,00 €
	panels to slide on both directions		YES	0,00 €
	extra track for at front and back (without full uncover on pallet)	0 cm		0,00 €
	total tracks length	852 cm		0,00 €
0,0 m	walkable cover for unilateral track	0,0 m		0,00 €
51,1 m	walkable cover for double-sided tracks	38,5 m		0,00 €
pool pic.2	pool edge or height of landrace bar of pool paving - L	5 cm		0,00 €
low brow	above ground L + 5cm, removable from polycarbonate	in price	10 cm	0,00 €
	sliding doors- surcharge	with threshold		0,00 €
	sliding doors- surcharge	without thresho		0,00 €
(picture 5)	other upgrades of brow- surcharge./pcs			0,00 €
big brow	for above ground L + 5cm, removable from polycarbonate	in price	10 cm	0,00 €
	sliding doors- standard	with threshold		0,00 €
	sliding doors- standard	without thresho		0,00 €
(picture 6)	other upgrades of brow- /pcs			0,00 €
side	side sliding door (opening upwards)		YES	0,00 €
(picture 3)	shunting side door (opening to the side)			0,00 €
surface	silver elox - surface	in price	YES	0,00 €
	Anthracite/Bronz powder coating	14%		0,00 €
filler	transparent polycarbonate thick. 10mm with UV stabil.	in price	YES	0,00 €
	Smoked polycarbonate thickness 10mm with UV stabil.	5%		0,00 €
	SAN clear boards - thickness 4mm with UV stabil.	28€ / m ²		0,00 €
locks	Locks for segments			0,00 €
reinforce	reinforcing bars for 4mm SAN boards			0,00 €
editing	AFNOR norm		NO	0,00 €
	Total tracks behind pool	210 cm		0,00 €
extra	Sliding threshold (for door without threshold)			0,00 €
other				0,00 €
Packing	Packing, palette + rails for full uncover	210 cm	YES	0,00 €



Price calculation is valid until **13.12.2018**

Price		0,00 €
		0,00 €
Total price		0,00 €
		0,00 €
		0,00 €
Total		0,00 €

--	--

Roofing dimensions

TYPE: **TREND**

Fig. 4

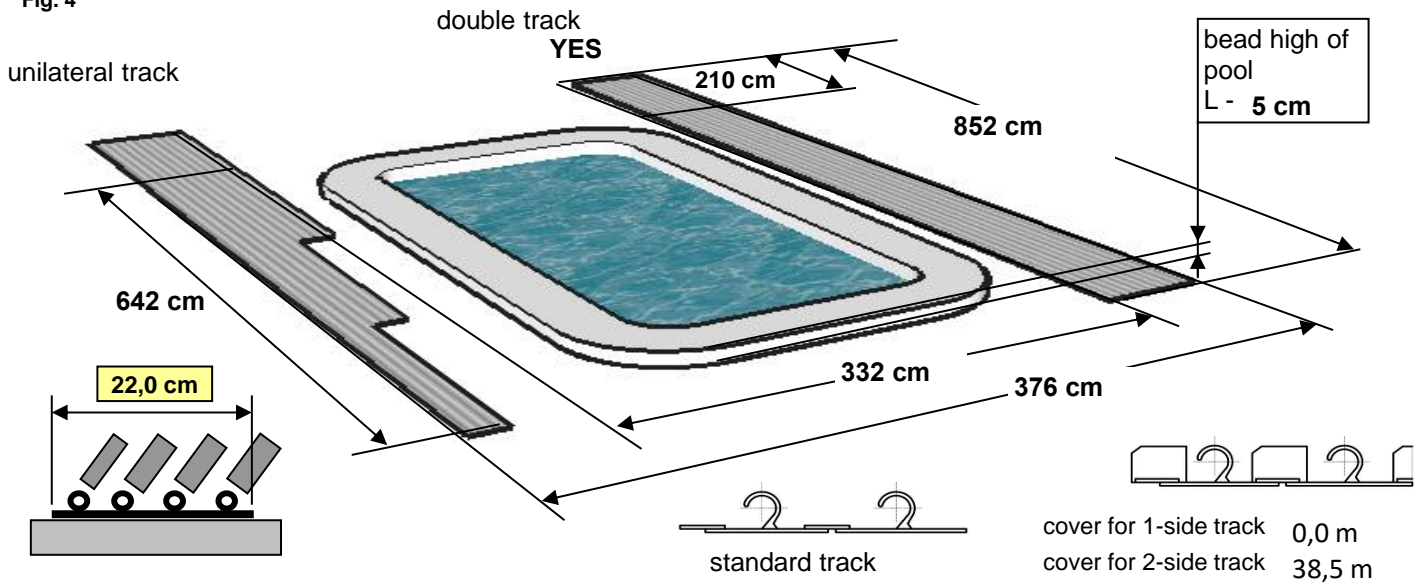


Fig. 5 **LOW BROW-TYPE AND DOOR LOCATION**

with threshold	without threshold	other
0	0	0

Highest segment - upper point (external) of enclosure 111
 Central height - middle height of enclosure **103 cm**
 Lowest segment - lowest point (internal) of enclosure 99

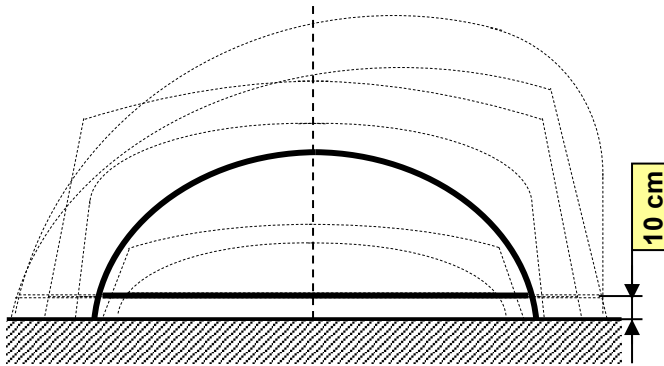
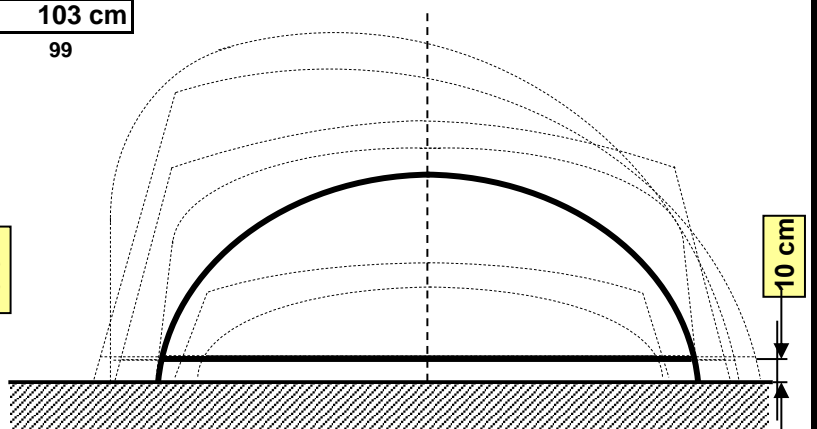


Fig. 6 **BIG BROW-TYPE AND DOOR LOCATION**

with threshold	without threshold	other
0	0	0

high is valid in case of gaps between profiles 20mm!

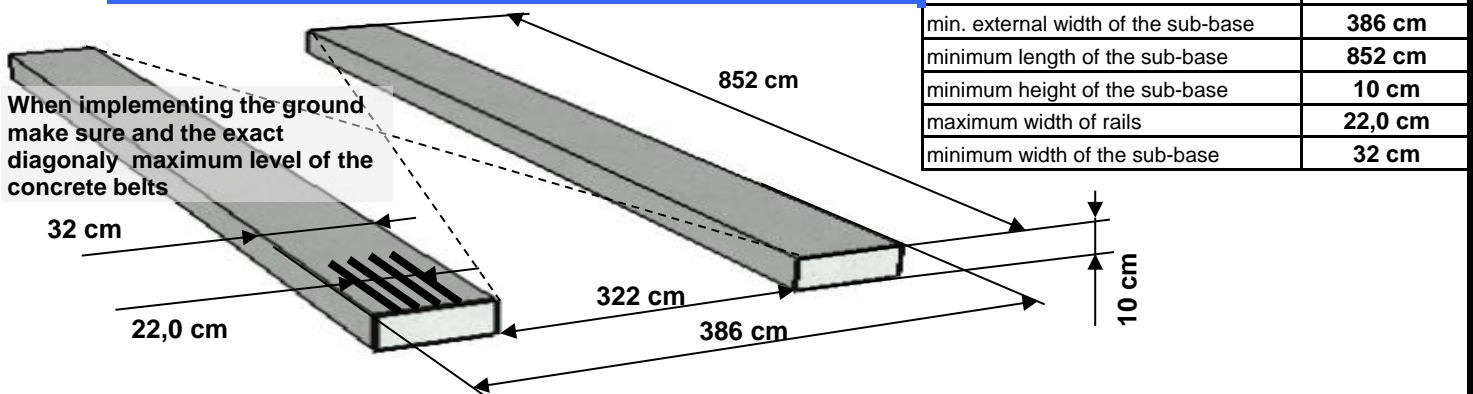


DOOR - NO	
width -	height - MAX.
note:	

← DOOR →

DOOR - NO	
width -	height - MAX.
note:	

Preparation of materials for tracks-concrete belts



When implementing the ground make sure and the exact diagonally maximum level of the concrete belts



group of

Mountfield

ISO 9001

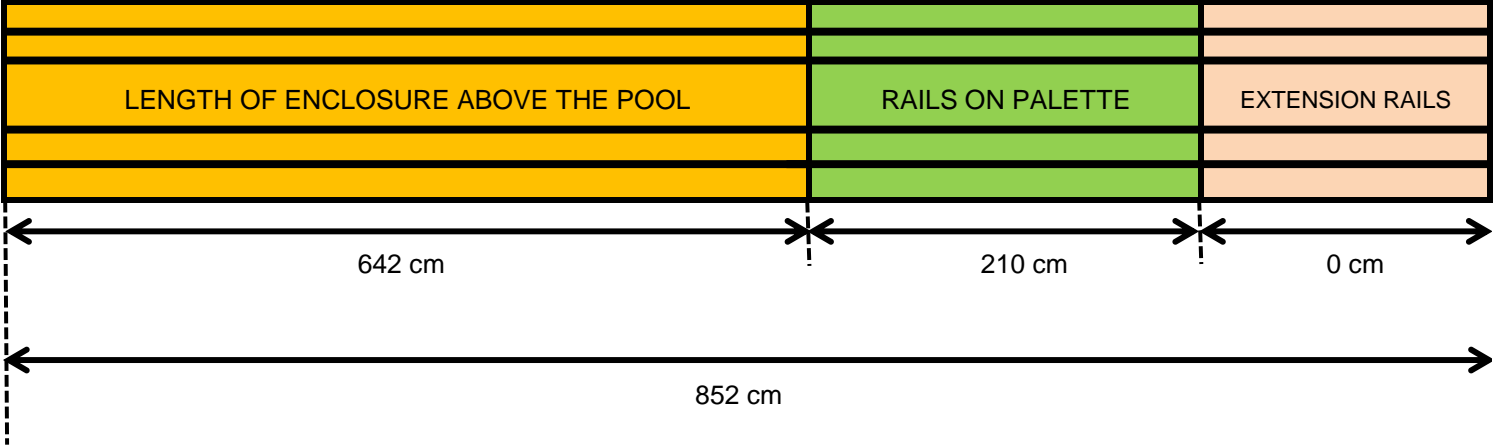


date :
Mountfield a.s.

.....

sign

UNILATERAL	DOUBLE-SIDED
------------	--------------



CALCULATION FOR DOUBLE-SIDED RAILS	
6 pcs 6m	6 pcs 2,1 m
6 pcs 0,42 m	

CALCULATION FOR UNILATERAL RAILS	
-2 pcs 6m	6 pcs 2,1 m

CAP COVER FOR DOUBLE-SIDED RAILS	
6 pcs 6m	
6 pcs 2,52 m	