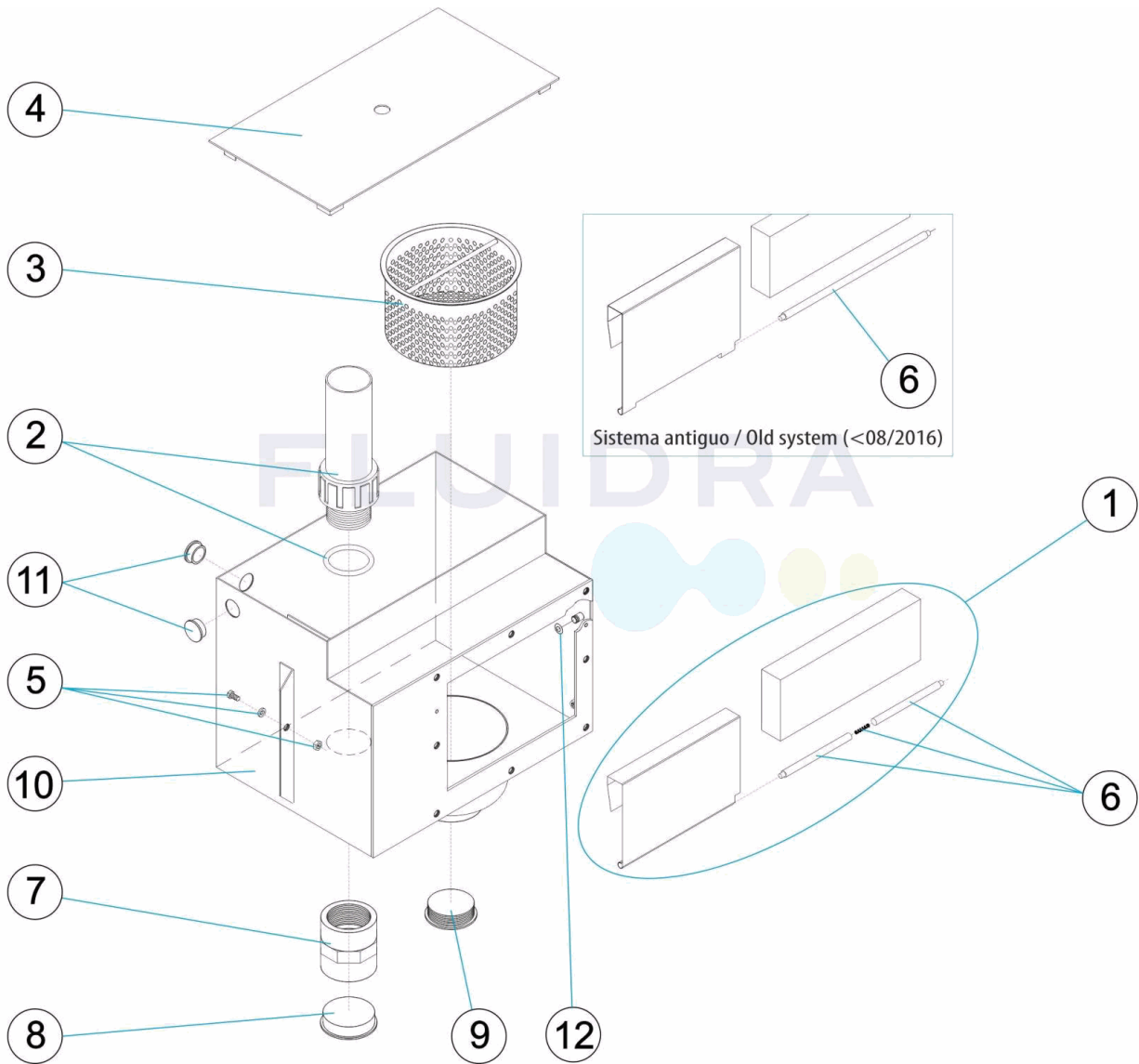


CODIGO **00254**

DESCRIPCION: **SKIMMER A-100 AISI-316**

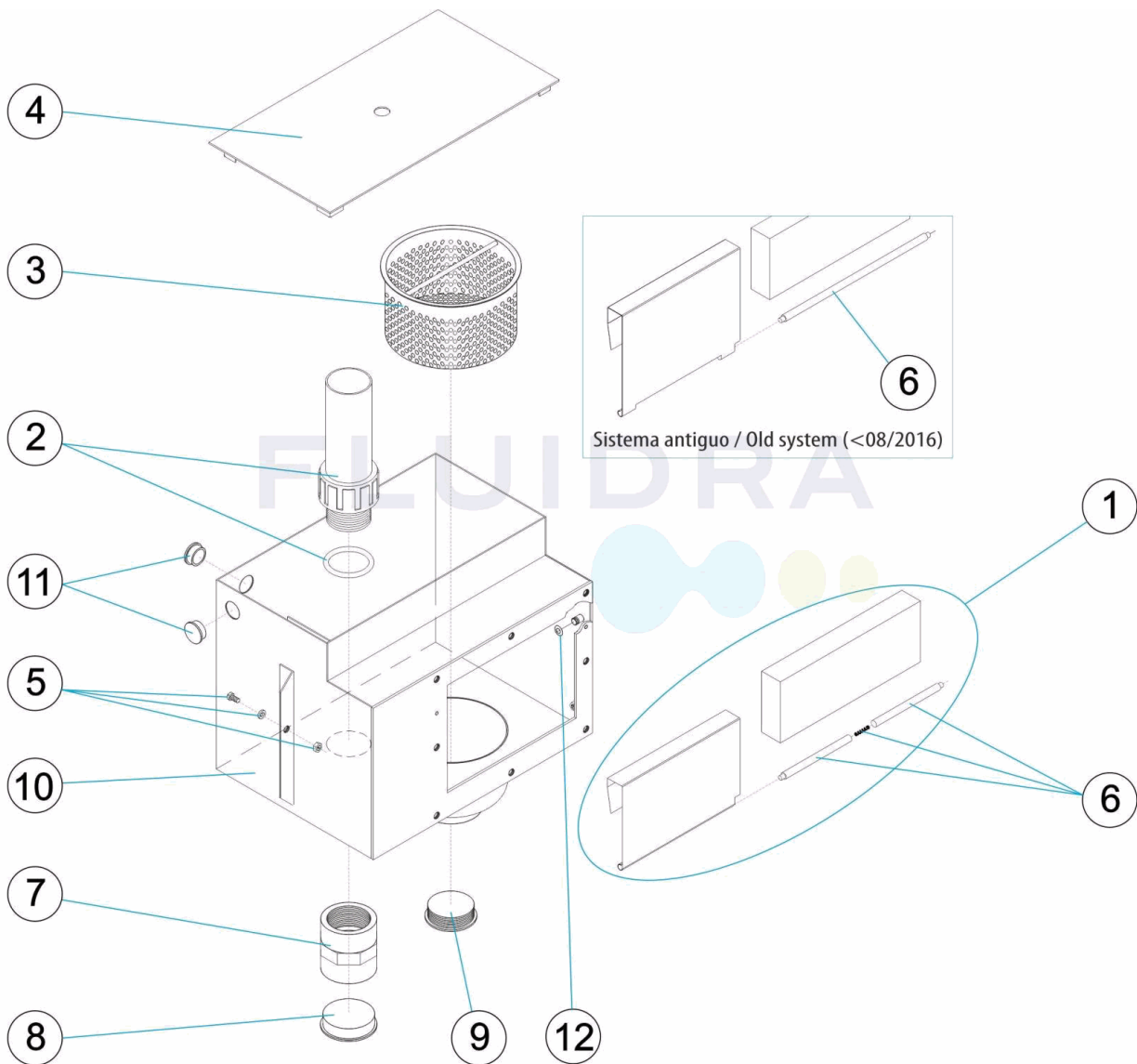


ESPAÑOL

POS	CODIGO	DESCRIPCION	POS	CODIGO	DESCRIPCION
1	4402011401	COMPUERTA SKIMMER INOX.	7	01912	MANGUITO
2	4402011402	REBOSADERO SKIMMER INOX.	8	07520R0015	TAPON D.50
3	4402011403	CESTO RECOGEHOJAS	9	00254R0099	TAPON 2"
4	4402011404	TAPA SKIMMER INOX.	10	00254R0100	CUERPO SKIMMER
5	4402010056	TOMA TIERRA	11	00254R0002	TAPON SKIMMER
6	4402011408	EJE ENTERO COMPUERTA	12	4402013304	JUNTA TORICA
6	4402011409	EJE PARTIDO COMPUERTA + RESORTE			

CODE **00254**

DESCRIPTION: **SKIMMER A-100 AISI-316**

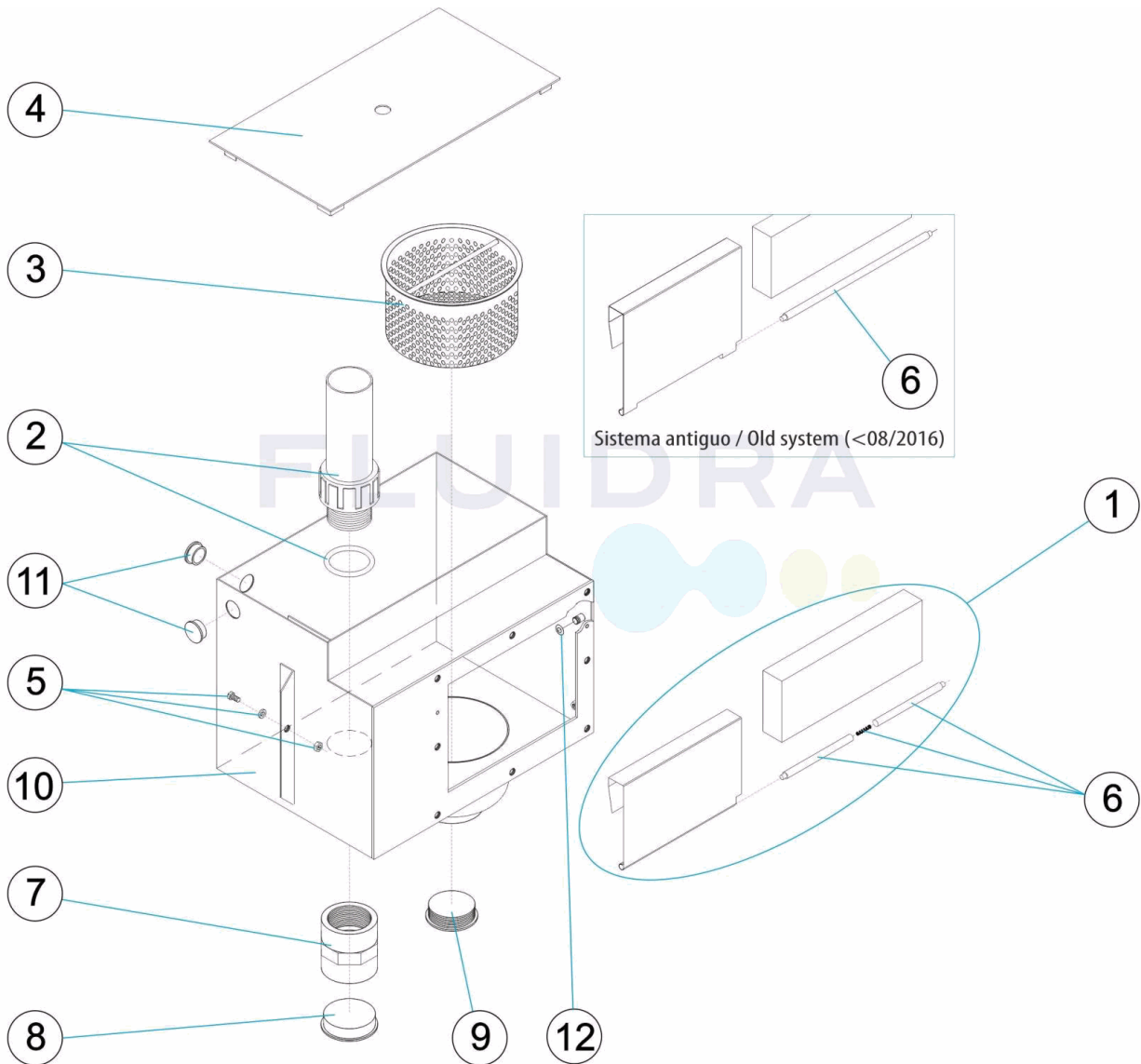


FRANCAIS

POS	CODE	DESCRIPTION	POS	CODE	DESCRIPTION
1	4402011401	VOLET DE SKIMMER INOX	7	01912	MANCHON
2	4402011402	TROP PLEIN SKIMMER INOX	8	07520R0015	COUVERCLE D. 50
3	4402011403	PANIER DE SKIMMER INOX	9	00254R0099	COUVERCLE 2"
4	4402011404	COUVERCLE DE SKIMMER INOX	10	00254R0100	CORPS DU SKIMMER
5	4402010056	PRISE DE TERRE	11	00254R0002	BOUCHON SKIMMER
6	4402011408	AXE ENTIER VOLET	12	4402013304	JOINT TORIQUE
6	4402011409	AXE SECTIONNÉ VOLET + RESSORT			

CODE **00254**

DESCRIPTION: **SKIMMER A-100 AISI-316**

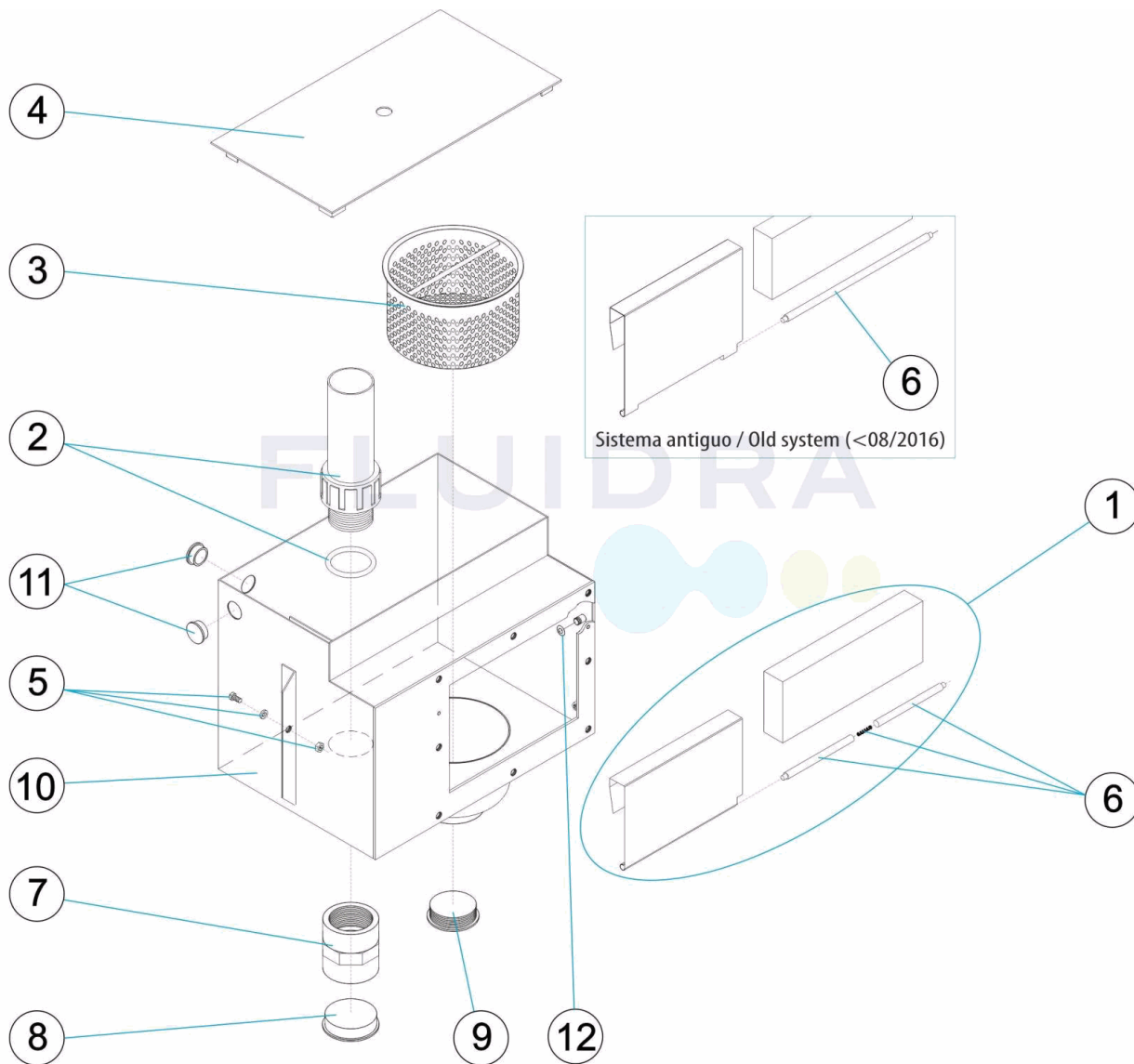


ENGLISH

POS	CODE	DESCRIPTION	POS	CODE	DESCRIPTION
1	4402011401	S. S. SKIMMER FLAP	7	01912	HOSE
2	4402011402	S. S. SKIMMER OVERFLOW	8	07520R0015	PLUG D.50
3	4402011403	LEAF RETAINER BASKET	9	00254R0099	PLUG 2"
4	4402011404	S. S. SKIMMER COVER	10	00254R0100	SKIMMER BODY
5	4402010056	EARTH CONNECTION	11	00254R0002	SKIMMER PLUG
6	4402011408	HINGE FLAP	12	4402013304	O' RING
6	4402011409	SPLIT HINGE FLAP + SPRING			

CODICE **00254**

DESCRIZIONE: **SKIMMER A-100 AISI-316**

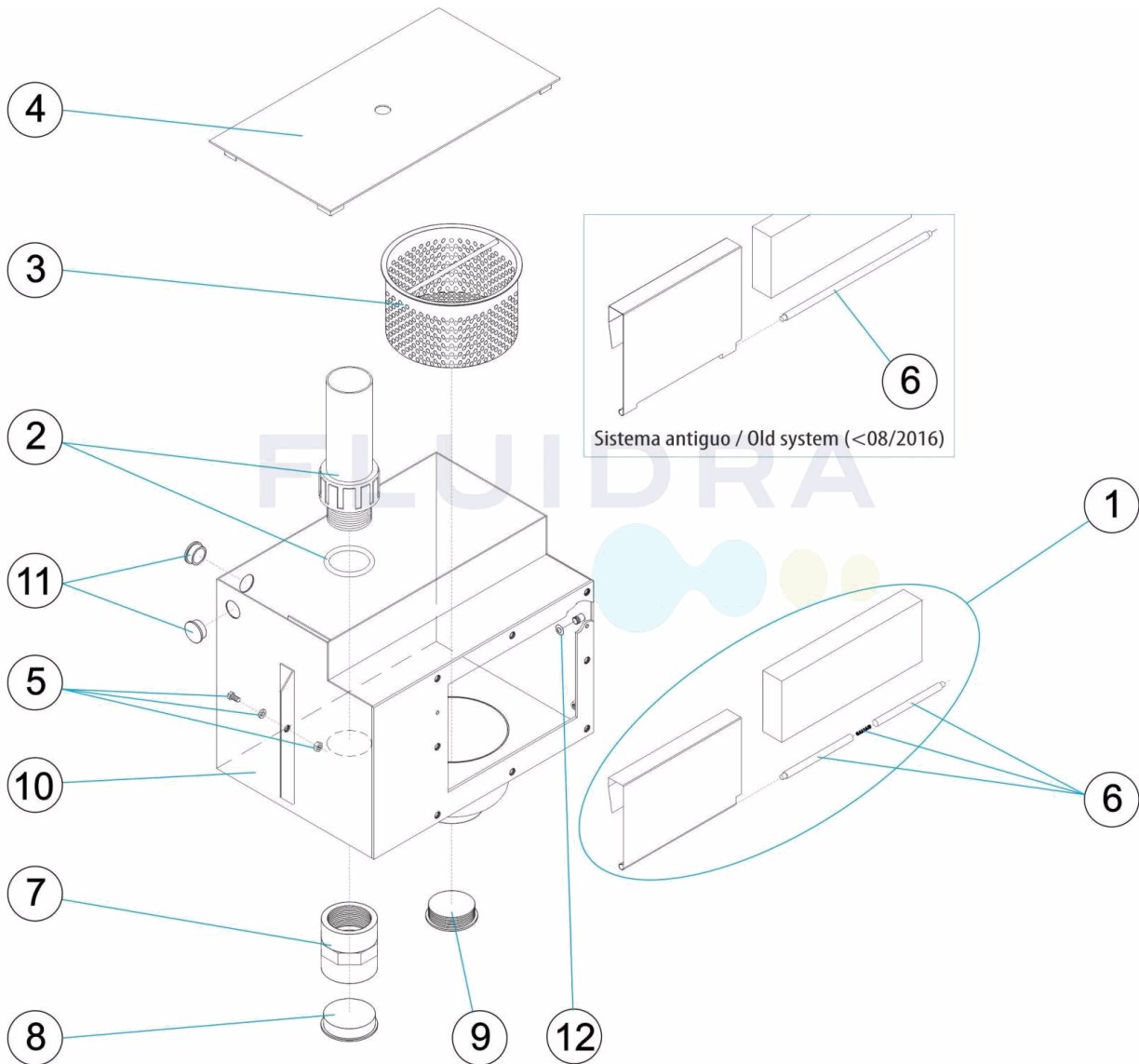


ITALIANO

POS	CODICE	DESCRIZIONE	POS	CODICE	DESCRIZIONE
1	4402011401	BATTENTE SKIMMER INOX	7	01912	MANICOTTO
2	4402011402	TROPPO PIENO SKIMMER INOX	8	07520R0015	TAPPO D.50
3	4402011403	CESTO RACCOGLIFOGLIE	9	00254R0099	TAPPO 2"
4	4402011404	COPERCHIO SKIMMER INOX	10	00254R0100	CORPO SKIMMER
5	4402010056	PRESA A TERRA	11	00254R0002	COPERCHIO SKIMMER
6	4402011408	ASSE INTERO BATTENTE	12	4402013304	O-RING
6	4402011409	ASSE PARZIALE BATTENTE + MOLLA			

CODE 00254

BESCHREIBUNG: SKIMMER A-100 AISI-316

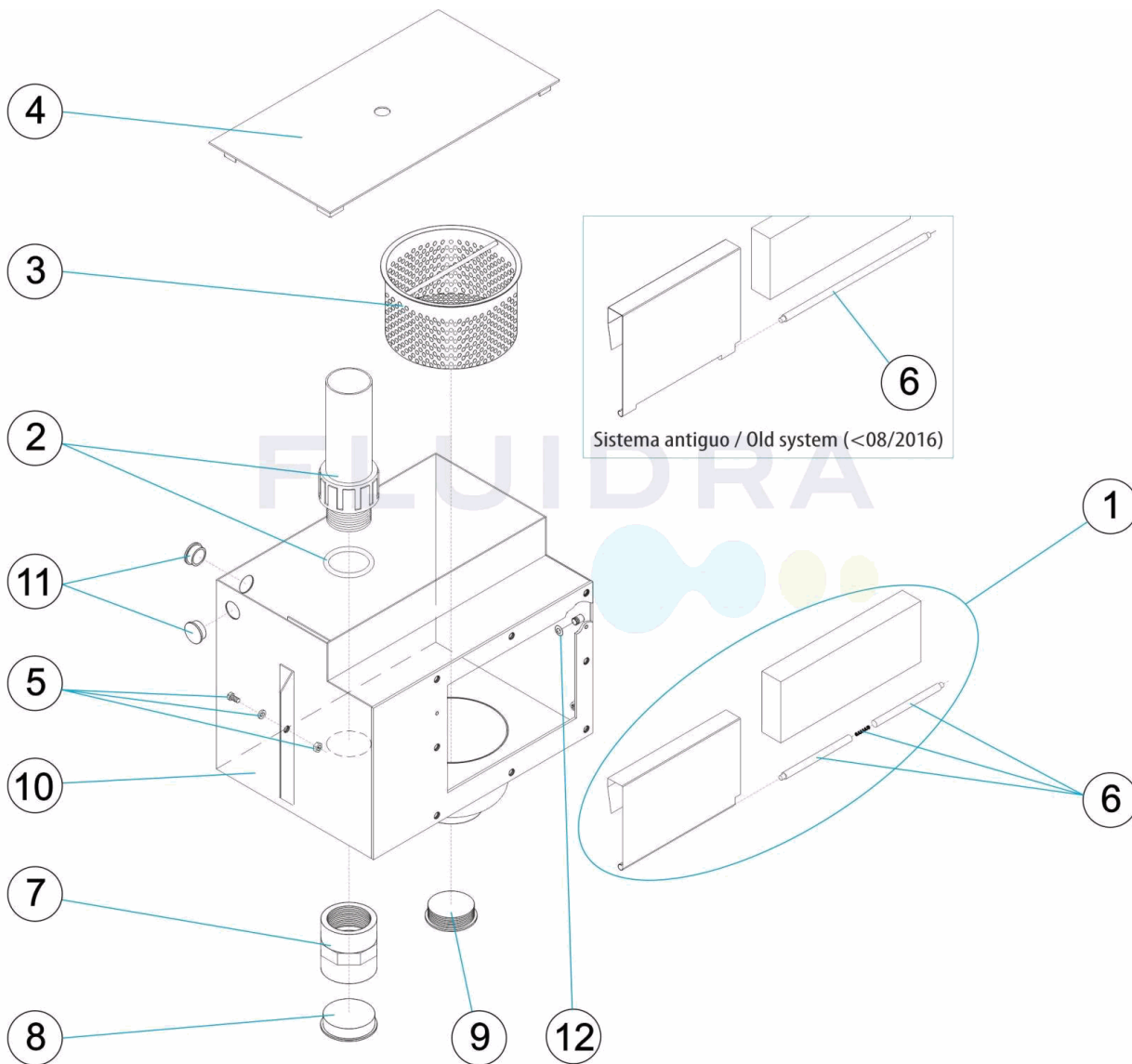


DEUTSCH

POS	CODE	BESCHREIBUNG	POS	CODE	BESCHREIBUNG
1	4402011401	SKIMMERKLAPPE EDELSTAHL	7	01912	NIPPEL
2	4402011402	AUFSATZ SKIMMER EDELSTAHL	8	07520R0015	STOPFEN D. 50
3	4402011403	BLATTFÄNGERKORB	9	00254R0099	STOPFEN 2"
4	4402011404	SKIMMERABDECKUNG EDELSTAHL	10	00254R0100	GEHÄUSE SKIMMER
5	4402010056	ERDUNG	11	00254R0002	STOPFEN SKIMMER
6	4402011408	KLAPPENACHSE VOLLSTÄNDIG	12	4402013304	O-RING
6	4402011409	KLAPPENACHSE GETEILT MIT FEDER			

CODIGO 00254

DESCRIÇÃO: SKIMMER A-100 AISI-316



PORTUGUES

POS	CODIGO	DESCRIÇÃO	POS	CODIGO	DESCRIÇÃO
1	4402011401	COMPORTA SKIMMER INOX	7	01912	MANGUITO
2	4402011402	CALEIRA SKIMMER INOX	8	07520R0015	TAMPÃO D.50
3	4402011403	CESTO APANHA FOLHAS	9	00254R0099	TAMPÃO 2"
4	4402011404	TAMPA SKIMMER INOX	10	00254R0100	CUERPO SKIMMER
5	4402010056	LIGAÇÃO A TERRA	11	00254R0002	TAMPÃO SKIMMER
6	4402011408	DOBRADIÇA INTEIRA COMPORTA	12	4402013304	JUNTA TÓRICA
6	4402011409	DOBRADIÇA DIVIDIDA COMPORTA + MOLA			