



## Pool price calculation- order form

1) Inner track width means the narrowest point of the roof. (Figure 4)	<b>internal width of tracks</b>	<b>390 cm</b>
2) Outer track width is the maximum size of the roof. (Figure 4)	<b>external width of tracks</b>	<b>440 cm</b>
3) The internal length is the length of the roof in the stretched state. (Figure 4)	<b>internal length of roofing</b>	<b>642 cm</b>
4) Internal minimum height is the height of the smallest segment of the enclosure (Fig. 5-6)	<b>internal minimum height</b>	<b>64 cm</b>
5) The number of segments is given according to the desired length of the roof. (Figure 3)	<b>segments quantity</b>	<b>3 ks</b>

### Type of Roofing

**Compact K-3-390**

**0,00 €**

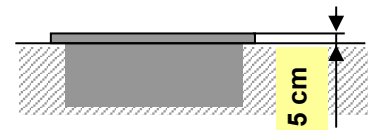
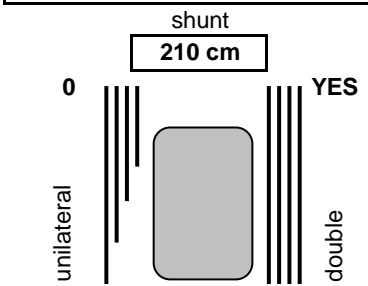
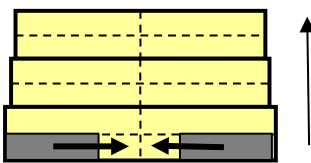


Fig. 3

side doors sliding **YES**  
side doors shunting **0**  
segments quantity **3 ks**

height	standardly - its set by price list	in price	YES	0,00 €
tracks	unilateral for shift in one direction	in price		0,00 €
	panels to slide on both directions		YES	0,00 €
	extra track for at front and back (without full uncover on pallete)	0 cm		0,00 €
	total tracks lenght	852 cm		0,00 €
0,0 m	walkable cover for unilateral track	0,0 m		0,00 €
51,1 m	walkable cover for double-sided tracks	38,5 m		0,00 €
pool pic.2	pool edge or height of landrace bar of pool paving - L	5 cm		0,00 €
low brow	above ground L + 5cm, removable from polycarbonate	in price	10 cm	0,00 €
	sliding doors- surcharge	with threshold		0,00 €
	sliding doors- surcharge	without thresho		0,00 €
(picture 5)	other upgrades of brow- surcharge./pcs			0,00 €
big brow	for above ground L + 5cm, removable from polycarbonate	in price	10 cm	0,00 €
	sliding doors- standard	with threshold		0,00 €
	sliding doors- standard	without thresho		0,00 €
(picture 6)	other upgrades of brow- /pcs			0,00 €
side	side sliding door (opening upwards)		YES	0,00 €
(picture 3)	shunting side door (opening to the side)			0,00 €
surface	silver elox - surface	in price	YES	0,00 €
	Anthracite/Bronz powder coating	14%		0,00 €
filler	transparent polycarbonate thick. 10mm with UV stabil.	in price	YES	0,00 €
	Smoked polycarbonate thickness 10mm with UV stabil.	5%		0,00 €
	SAN clear boards - thickness 4mm wih UV stabil.	28€ / m <sup>2</sup>		0,00 €
locks	Locks for segments			0,00 €
reinforce	reinforcing bars for 4mm SAN boards			0,00 €
editing	AFNOR norm		NO	0,00 €
	Total tracks behind pool	210 cm		0,00 €
other				0,00 €
Packing	Packing, palette + rails for full uncover	210 cm	YES	0,00 €



Price calculation is valid until **27.02.2020**

Price		0,00 €
		0,00 €
<b>Total price</b>		<b>0,00 €</b>
		0,00 €
		<b>0,00 €</b>
<b>Total</b>		<b>0,00 €</b>

**Roofing dimensions**

TYPE: **Compact K-3-390**

Fig. 4

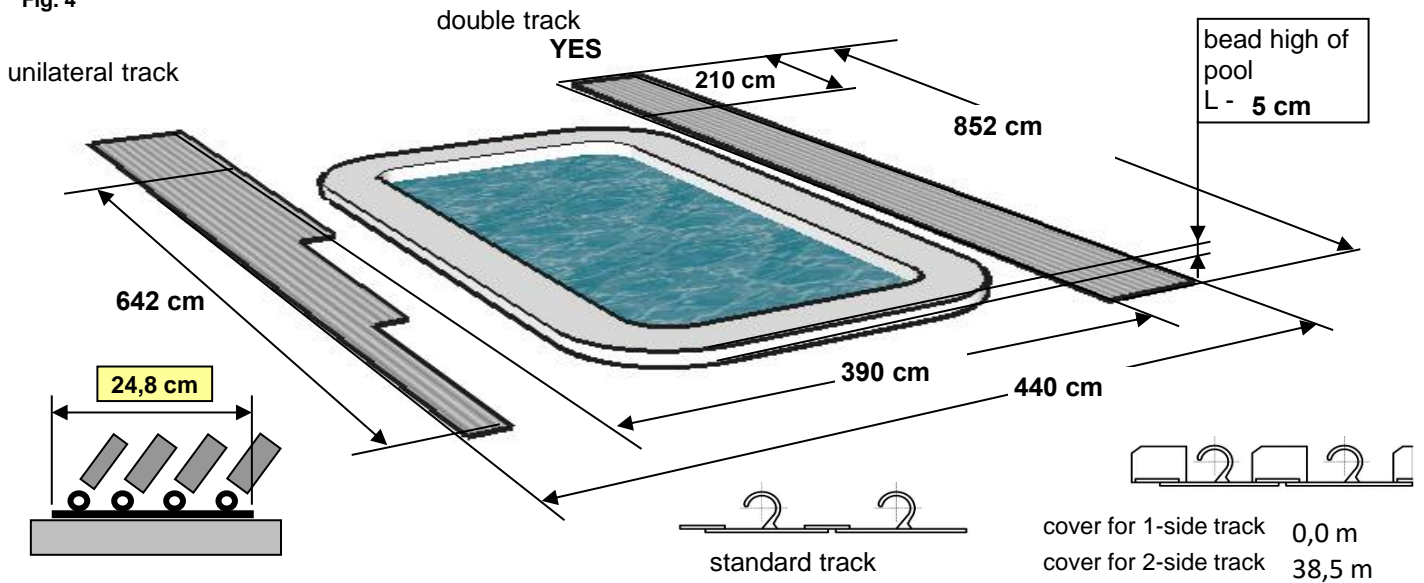


Fig. 5 **LOW BROW-TYPE AND DOOR LOCATION**

with threshold	without threshold	other
0	0	0

Highest segment - upper point (external) of enclosure 76  
 Lowest segment - lowest point (internal) of enclosure 64 cm

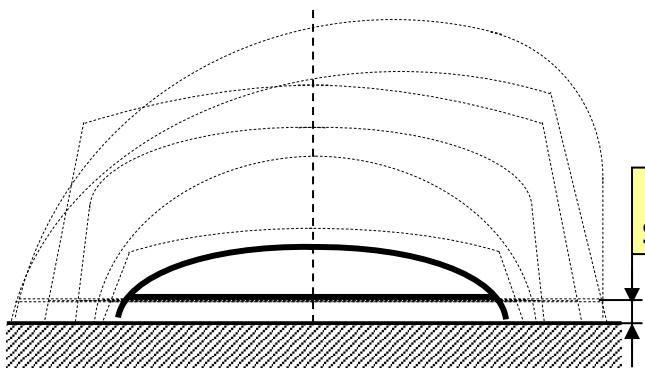
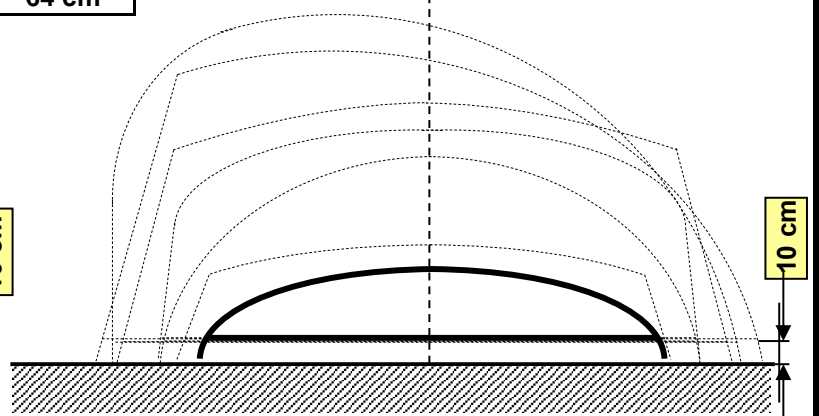


Fig. 6 **BIG BROW-TYPE AND DOOR LOCATION**

with threshold	without threshold	other
0	0	0

high is valid in case of gaps between profiles 20mm!

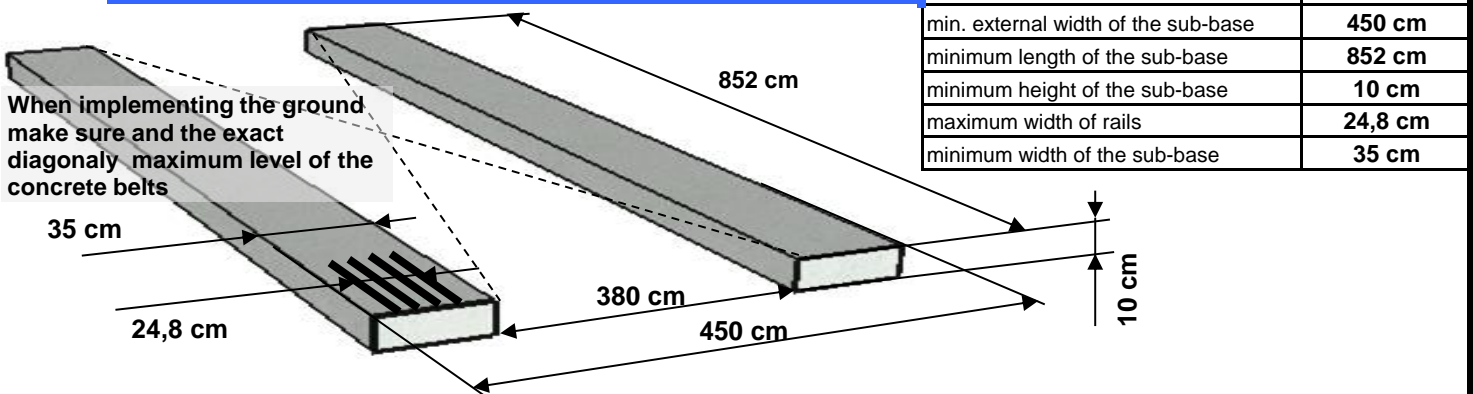


DOOR - NO	
width -	height - MAX.
note:	

← DOOR →

DOOR - NO	
width -	height - MAX.
note:	

**Preparation of materials for tracks-concrete belts**



group of

**Mountfield**

**ISO 9001**

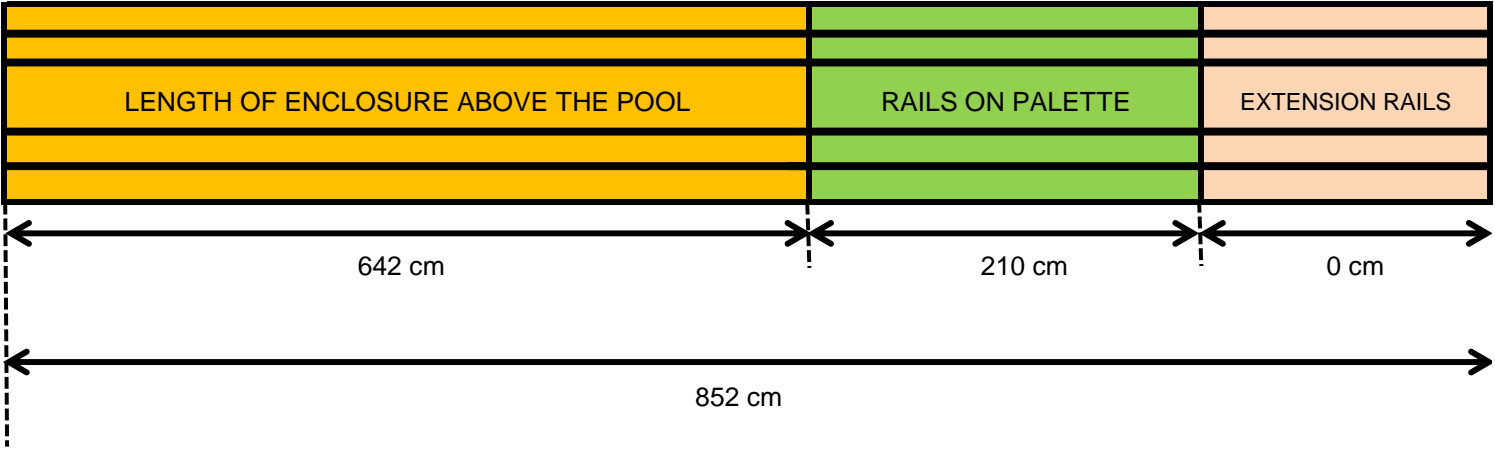


date :  
 Mountfield a.s.

.....

sign

UNILATERAL	DOUBLE-SIDED
------------	--------------



CALCULATION FOR DOUBLE-SIDED RAILS	
6 pcs 6m	6 pcs 2,1 m
6 pcs 0,42 m	

CALCULATION FOR UNILATERAL RAILS	
-2 pcs 6m	6 pcs 2,1 m

CAP COVER FOR DOUBLE-SIDED RAILS	
6 pcs 6m	
6 pcs 2,52 m	