

# NART POOL LIFT

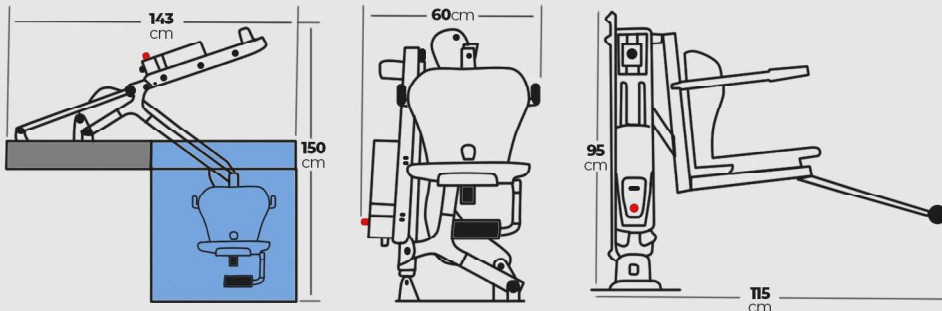
Nart Pool Lift which provides disabled and elderly people to access pools is the safest transfer equipment for hydrotherapy pools, hotel and thermal centers, public pools and sports centers.

It is too important for people who have some kind of movement limitations to access the pools safely, during the hydrotherapy healing. Nart Pool Lift which provides the transfer of disabled and elderly people to the pool is the biggest helpful equipment of rehabilitation centers and physiotherapists.

It is completely made of 304 quality stainless steel. It is painted with electrostatic powder paint.

The equipments which assists disabled people belong to medical devices class. All the products Nart Access produced are registered in the system of Turkish Republic Ministry of Health (UTS NO: 8683581609200) and called medical devices.

All our products are patented by the Turkish Patent Institute and comply with EU standards.



**NART**  
Access >>





## WHERE TO USE?

- Hydrotherapy pools for disabled people
- Health tourism hotels for disabled and alderly
- Water sports and swimming pools for disabled
- Aged care centers, resorts
- Clinical hotel rehabilitation centers
- Spa facilities
- Sports federations
- Public pool facilities
- Private pools and all indoor and outdoor pools in hotels.

## TECHNICAL SPECS

- 150 kg carrying capacity
- All stainless steel construction
- Resistance to corrosion due to water abrasion, high temperature etc.
- Resistance paint to abrasion and corrosion
- External charge unit,
- Urgent rescue system
- Foldable armrests
- Urgent stop system
- Safety belt
- Conformity of EU
- CE certificated
- ISO 9001 certificated

## ADVANTAGES

- Can be assembled and installed easily
- Safe transfer with its fixable feature
- Advantage of technical service & spare parts
- Continious stock due to the manufacturer
- Suitable for indoor and outdoor usage
- 2 years warranty of stainlessness
- Optional equipments (footrest, safety belt etc.)
- Our products have all conformity, quality and formal certificates and are patened.