



Pool price calculation- order form

1) Inner track width means the narrowest point of the roof. (Figure 4)	internal width of tracks	430 cm
2) Outer track width is the maximum size of the roof. (Figure 4)	external width of tracks	495 cm
3) The internal length is the length of the roof in the stretched state. (Figure 4)	internal length of roofing	854 cm
4) Internal minimum height is the height of the smallest segment of the enclosure (Fig. 5-6)	internal minimum height	66 cm
5) The number of segments is given according to the desired length of the roof. (Figure 3)	segments quantity	4 ks

Type of Roofing

Compact K-4-430

0,00 €

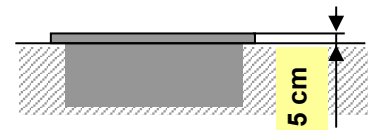
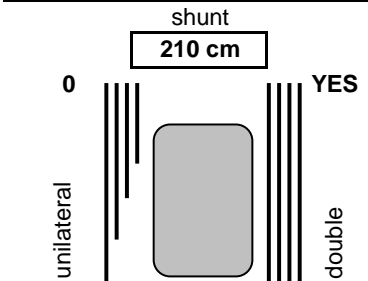
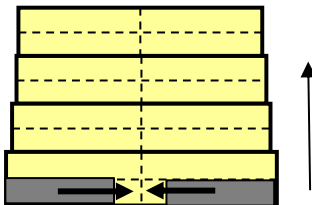


Fig. 3

side doors sliding YES
side doors shunting 0
segments quantity 4 ks



height	standardly - its set by price list	in price	YES	0,00 €
tracks	unilateral for shift in one direction	in price		0,00 €
	panels to slide on both directions		YES	0,00 €
	extra track for at front and back (without full uncover on pallete)	0 cm		0,00 €
	total tracks lenght	1064 cm		0,00 €
0,0 m	walkable cover for unilateral track	0,0 m		0,00 €
85,1 m	walkable cover for double-sided tracks	68,3 m		0,00 €
pool pic.2	pool edge or height of landrace bar of pool paving - L	5 cm		0,00 €
low brow	above ground L + 5cm, removable from polycarbonate	in price	10 cm	0,00 €
	sliding doors- surcharge	with threshold		0,00 €
	sliding doors- surcharge	without thresho		0,00 €
(picture 5)	other upgrades of brow- surcharge./pcs			0,00 €
big brow	for above ground L + 5cm, removable from polycarbonate	in price	10 cm	0,00 €
	sliding doors- standard	with threshold		0,00 €
	sliding doors- standard	without thresho		0,00 €
(picture 6)	other upgrades of brow- /pcs			0,00 €
side	side sliding door (opening upwards)		YES	0,00 €
(picture 3)	shunting side door (opening to the side)			0,00 €
surface	silver elox - surface	in price	YES	0,00 €
	Anthracite/Bronz powder coating	14%		0,00 €
filler	transparent polycarbonate thick. 10mm with UV stabil.	in price	YES	0,00 €
	Smoked polycarbonate thickness 10mm with UV stabil.	5%		0,00 €
	SAN clear boards - thickness 4mm wih UV stabil.	28€ / m ²		0,00 €
locks	Locks for segments			0,00 €
reinforce	reinforcing bars for 4mm SAN boards			0,00 €
editing	AFNOR norm		NO	0,00 €
	Total tracks behind pool	210 cm		0,00 €
other				0,00 €
Packing	Packing, palette + rails for full uncover	210 cm	YES	0,00 €

Price calculation is valid until **27.02.2020**

Price		0,00 €
		0,00 €
Total price		0,00 €
		0,00 €
		0,00 €
Total		0,00 €

Roofing dimensions

TYPE: **Compact K-4-430**

Fig. 4

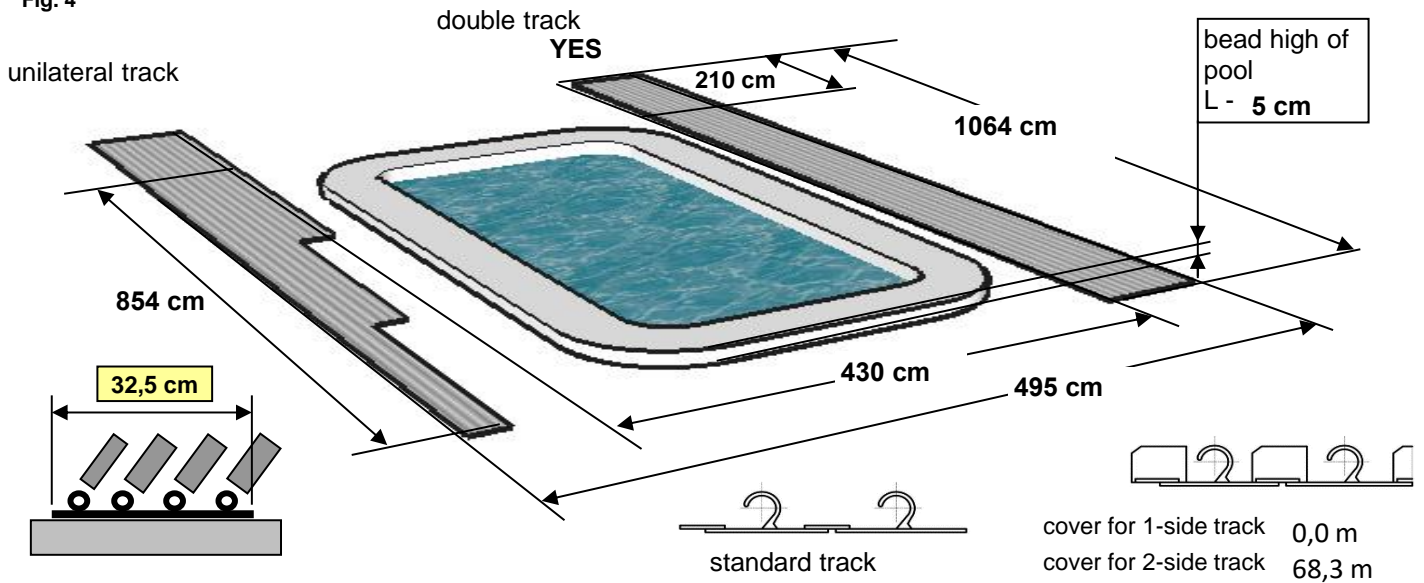


Fig. 5 **LOW BROW-TYPE AND DOOR LOCATION**

with threshold	without threshold	other
0	0	0

Highest segment - upper point (external) of enclosure **84**
 Lowest segment - lowest point (internal) of enclosure **66 cm**

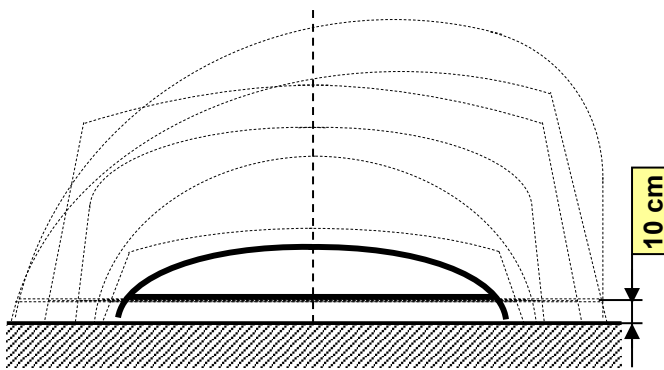
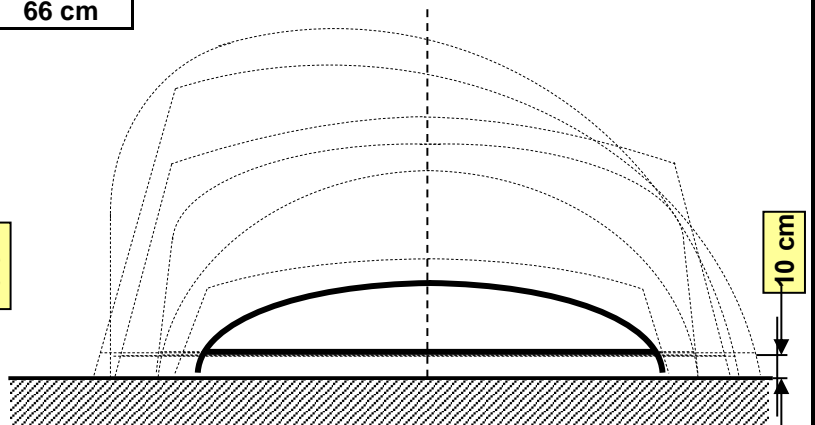


Fig. 6 **BIG BROW-TYPE AND DOOR LOCATION**

with threshold	without threshold	other
0	0	0

high is valid in case of gaps between profiles 20mm!

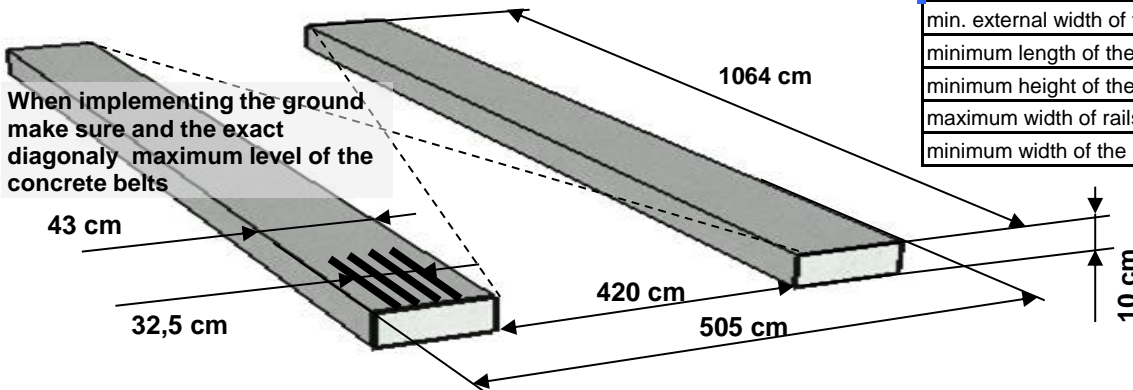


DOOR - NO	
width -	height - MAX.
note:	

← DOOR →

DOOR - NO	
width -	height - MAX.
note:	

Preparation of materials for tracks-concrete belts



min. internal width of the sub-base	420 cm
min. external width of the sub-base	505 cm
minimum length of the sub-base	1064 cm
minimum height of the sub-base	10 cm
maximum width of rails	32,5 cm
minimum width of the sub-base	43 cm

When implementing the ground make sure and the exact diagonally maximum level of the concrete belts



group of

Mountfield

ISO 9001

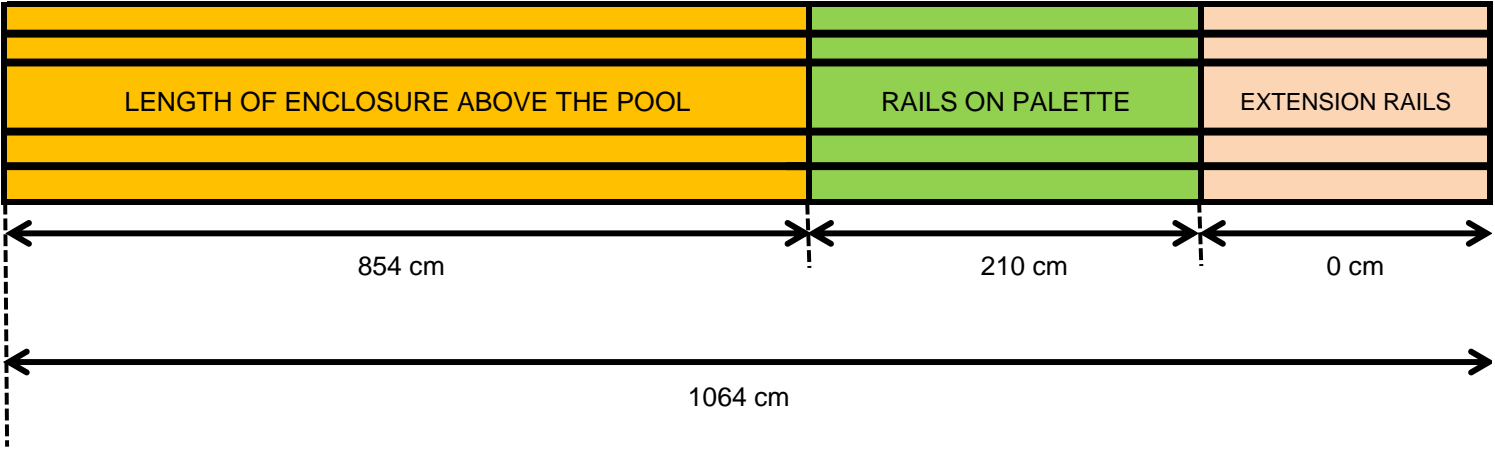


date :
Mountfield a.s.

.....

sign

UNILATERAL	DOUBLE-SIDED
------------	--------------



CALCULATION FOR DOUBLE-SIDED RAILS	
8 pcs 6m	8 pcs 2,1 m
8 pcs 2,54 m	

CALCULATION FOR UNILATERAL RAILS	
-2 pcs 6m	8 pcs 2,1 m

CAP COVER FOR DOUBLE-SIDED RAILS	
8 pcs 6m	
8 pcs 4,64 m	